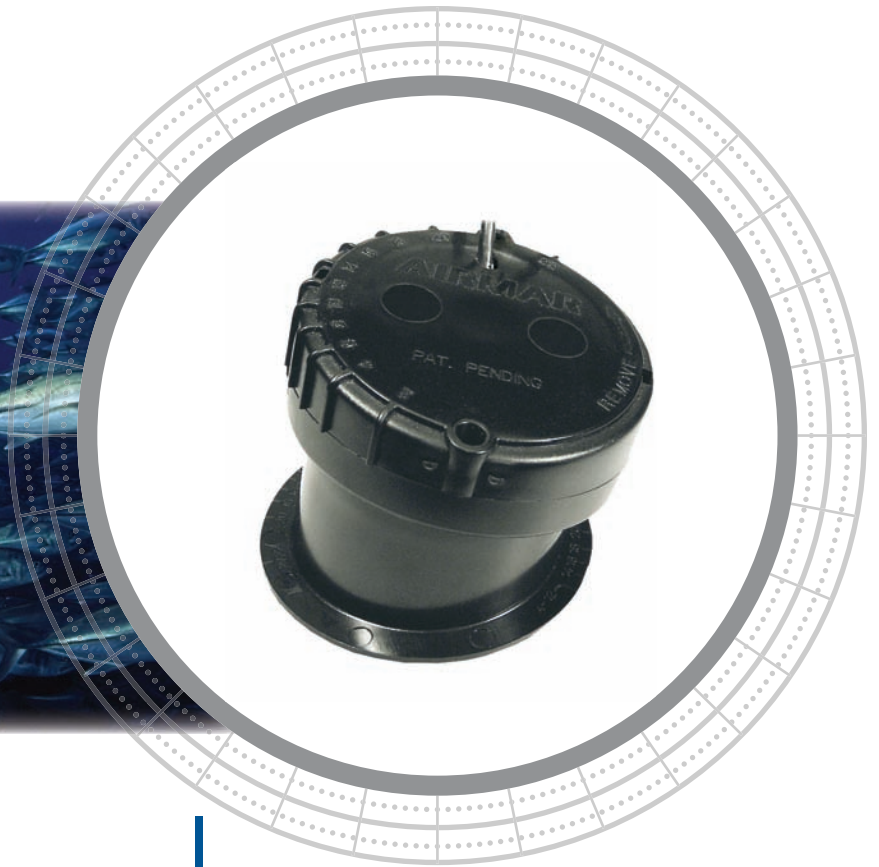
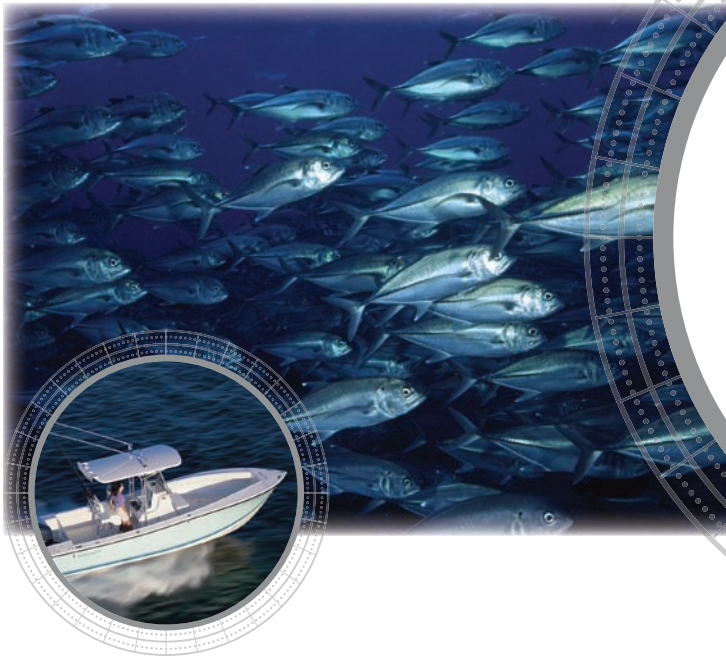


P79



Simple! Convenient!! Adjustable!!!

The P79 is easy-to-install, accommodating hull deadrise angles up to 22°.

1. Mount the base flange inside the hull
2. Adjust the locking ring for the correct hull deadrise angle
3. Fill the base with non-toxic anti-freeze (propylene glycol)
4. Turn and lock the transducer into the base

Deadrise Intuitive!

The unique adjustable-angle design ensures the beam is vertically oriented for maximum echo returns and the best possible performance. Because the transducer is mounted inside the hull, it is the perfect solution for rigid inflatable boats (RIBS) and racing sailboats.



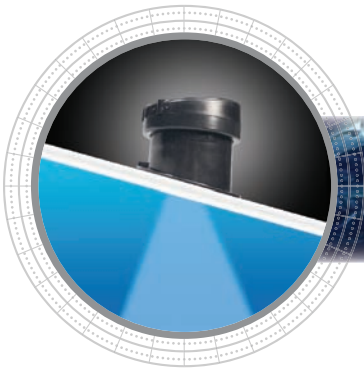
In-Hull 600 W Adjustable

Fishing Applications

- Lake and inshore all-around saltwater fishing for small to mid-size outboard boats

Features

- Adjusts to hull deadrise angles from 2° to 22°
- No holes to drill
- Depth only
- Recommended for solid fiberglass hulls
- Epoxies to aluminum hulls under 3.8 mm (0.125") thick
- Recommended for planing-hull power boats, trailered boats, rigid inflatable boats (RIBS), and racing sailboats
- No hull protrusions
- Boat Size: Up to 8 m (25')



Technical Information

50/200 kHz-A

Number of Elements and Configuration	○	
Beamwidth (@-3 dB)	45°	12°
RMS Power (W)	600 W	600 W
TVR	155 dB	164 dB
RVR	-174 dB	-184 dB
FOM*	-31 dB	-21 dB
Q	28	31
Impedance	200 Ω	375 Ω

*Does not calculate losses through the hull.

MAXIMUM DEPTH RANGE

50 kHz	200 kHz
206 m to 294 m (700' to 1,000')	118 m to 180 m (400' to 600')

BEAM DIAMETER VS DEPTH

Depth	50 kHz	200 kHz
9 m (30')	8 m (25')	2 m (6')
30 m (100')	25 m (83')	6 m (21')
122 m (400')	101 m (331')	26 m (84')
305 m (1,000')	252 m (828')	64 m (210')

TRANSDUCER COMPARISON

Model	Power	Rating	Performance Increase
P79	600 W	Good	Benchmark model for comparison
M260	1 kW	Best	50 times more sensitive at 50 kHz 13 times more sensitive at 200 kHz
R199	2 kW	Superb	200 times more sensitive at 50 kHz 32 times more sensitive at 200 kHz
R299 R399	3 kW	Ultimate	400 times more sensitive at 50 kHz 32 times more sensitive at 200 kHz

SPECIFICATIONS

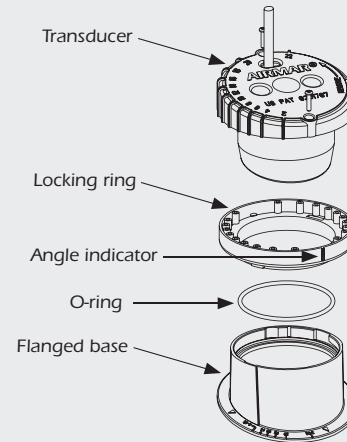
Weight: 2.3 kg (5 lb)

Hull Deadrise: 0° to 22°

Acoustic Window: Layered plastic urethane

DIMENSIONS

P79 Transducer



Dimensions at Maximum Installation Angle

